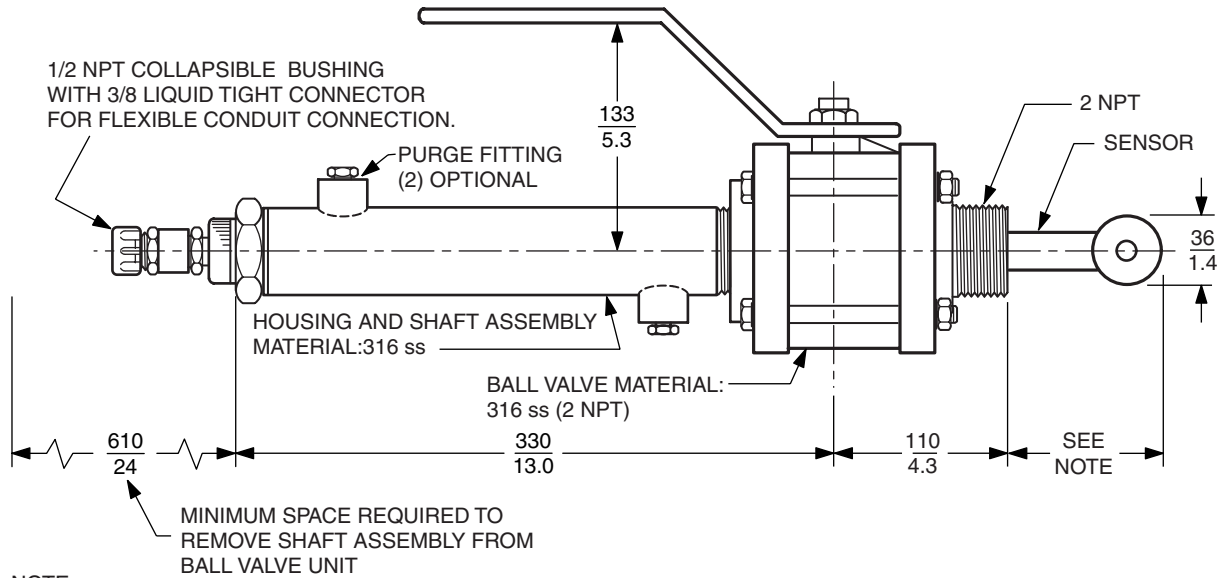


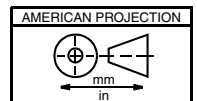
Ball Valve Assembly

for Electrodeless Conductivity Sensors

BALL VALVE ASSEMBLY (PART BS805JV OR BS805JU) WITH SENSORS 871EC-SP, -HP, -PP, -PT, -NL, AND TE

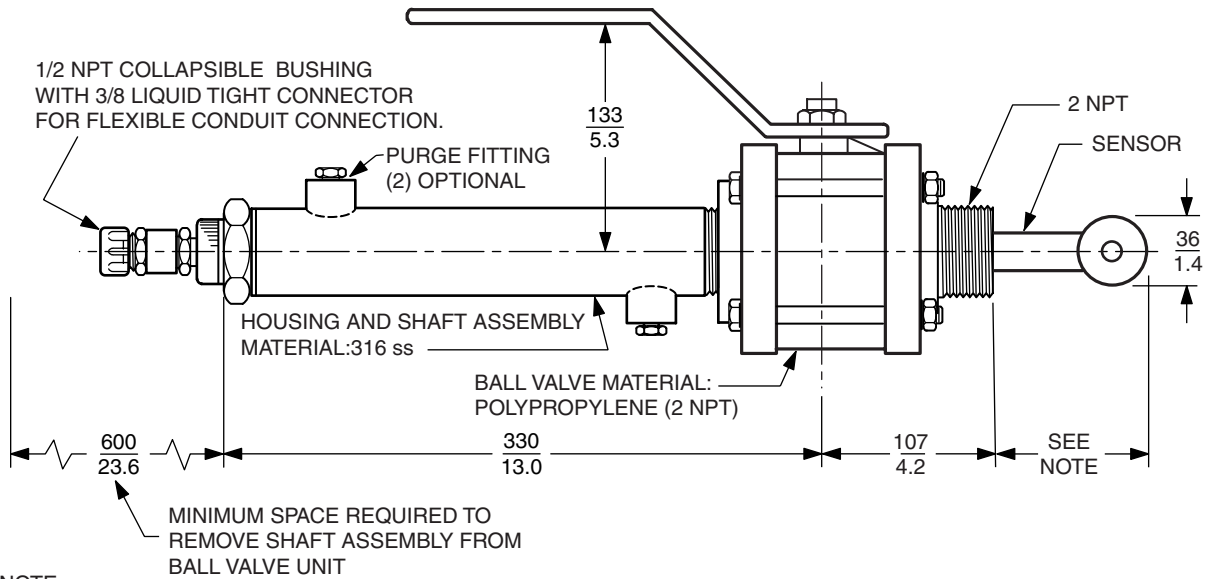


Ball Valve Assembly Description	Ball Valve Material	Foxboro Part
With Purgeable Housing	316 ss	BS805JV
With Nonpurgeable Housing	316 ss	BS805JU



For dimensional information specific to your sales order, refer to Certified Dimensional Prints (CDPs) which can be ordered from your Foxboro Sales Office or authorized factory representative.

BALL VALVE ASSEMBLY (PART BS805HX) WITH SENSORS 871EC-SP, -HP, -PP, -PT, -NL, AND TF



NOTE:

THIS DIMENSION NORMALLY 69 (2.7). LONGER INSERTION LENGTHS AVAILABLE ON SPECIAL ORDER.

Ball Valve Assembly Description	Ball Valve Material	Foxboro Part
With Purgeable Housing	Polypropylene	BS805HX